



CARB.O.LITE

Polycarbonate Awnings

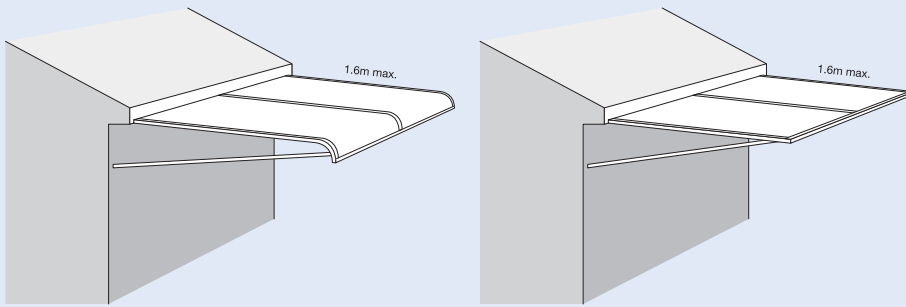


Translucent
Longlasting

Lightweight
Leakproof

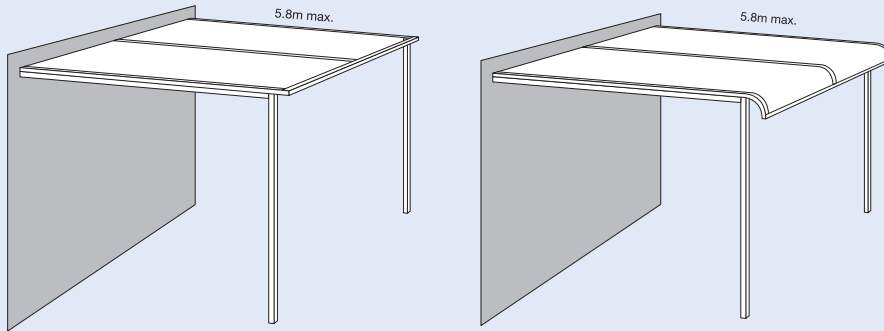
Tough
Versatile

Bullnose & Flat



- Available in 8mm Twinwalled polycarbonate
- Maximum projection 1600mm
- Fascia or wall fit
- Sturdy 38 x 25mm support arms
- Available in DIY kit forms
- Suitable for windows/door coverings

Patio Cover



- Available in 8mm Twinwalled polycarbonate
- Maximum projection 5800mm
- Fascia or wall fit
- Sturdy engineered aluminium frame
- Custom built to many applications
- Suitable for patio covers and carports

Why choose Polycarbonate?

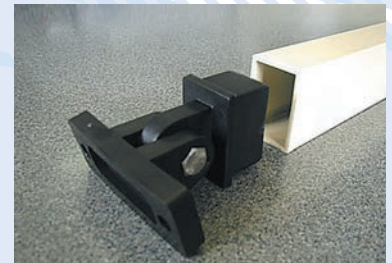
- Lets in light and keeps out heat
- 200 times tougher than glass
- Variety of shapes available
- Cost efficient alternative to glass
- 99.9% UV protective

Colour range

8mm Twinwall	Light	Shading transmission
Clear	86%	72%
Grey	42%	45%
Bronze	42%	45%
Solar Metallic	25%	28%
Solar Ice	20%	25%



CARBOLITE polycarbonate sheets



CARBOLITE window awning bracket

Frame colour

- Pearl White • Primrose
 - Anodic Bronze • Satin Black
- Special colours on request*



FREECALL 1800 625 481

1 Olive St, Clayton Victoria 3168 | Tel: 03 9544 1122 | Fax: 03 9543 5740

All specifications are subject to change without notice.
This brochure supersedes all previous editions.

CARBOLITE is a registered trademark of Carbolite Pty Ltd.